

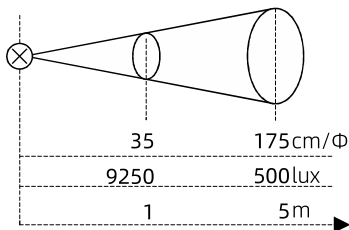
# INMP51R

## Industrial Rechargeable LED Handlamp



### Description

- Widely used for inspection, emergency repair and construction emergency lighting etc. in industrial area and professional industry.
- The body is made of high performance nylon. It features as lightweight, anti-aging, anti-corrosion, impact-resistant and easy to carry.
- Professional optical lens design, soft illumination, uniform spot, in line with GB 30734 fire protection standard.



### Parameters

|                        |   |
|------------------------|---|
| Certification:         | CE  |
| Working ambient temp.: | -40°C ≤ Ta ≤ +55°C  |
| Ingress protection:    | IP66/67   |
| Corrosion-proof grade: | WF2   |
| CCT:                   | 6500K   |
| Luminous flux:         | ≥610lm (strong mode), ≥310lm (work mode), ≥310lm (SOS mode) |
| Run time:              | ≥11h (strong mode), ≥20h (work mode)                        |
| Beam distance:         | ≥193m (strong mode), ≥134m (work mode)                      |
| Battery type:          | 18650 lithium battery (IEC 61233, IEC 61960)                |
| Battery capacity:      | 7.2V, 6700mAh   |
| Charging way:          | match 1000/01-B51 charging base                             |
| Charging time:         | ≤12h  |
| Recharging cycles:     | 500 cycles  |
| Lifespan:              | 50,000h (without battery)                                   |
| Light source color:    | Red, Yellow, Green, White                                   |

Note: The luminous flux and continuous discharge time are the values measured under the environment of -20°C ≤ Ta ≤ +55°C.

## Features



90° rotational head



Comes with 4 color light source, switch by knob. ○ ● ● ●



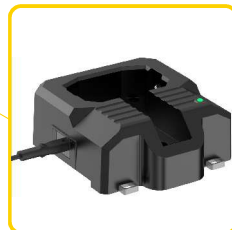
Charging indicator



The head adopts advanced insert over-molding of glass with high performance nylon material.





Large button, designed for industrial use, is made of durable, chemical-resistant nylon. 4 grids power display.



Matched charging base, safer and more reliable.

## Order specifications

| Illustration  | Description   | Weight (g) | Order No.     |
|---|---|------------|---------------|
|  | Industrial Rechargeable LED Handlamp                              | 960        | INMP51R       |
|  | Industrial Rechargeable LED Handlamp + Charging base + Power cord | 1367       | INMP51R+B51-□ |

 GB
  EN
  BS
  ANSI
  AS
  JIS

Code of plug

Note: Users can choose type B integrated charging track rail and integrated charging stand. Please see pages 03-05 for details.

## Charging system

- INMP51R is equipped with a dedicated charging base to ensure safe use. The charging base has a charging indicator light, red means charging, green means fully charged.
- The charging base has 3 charging ports - AC 100-250V/3A, DC 5.0V/3A and a matched integrated charging port at the bottom. Safe, simple and convenient.
- This product is suitable for type B integrated charging track rail.

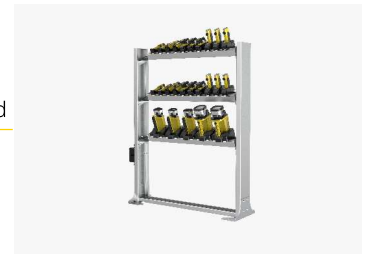
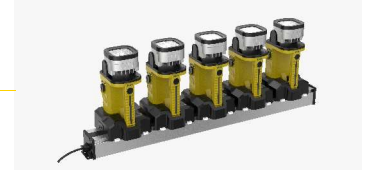
DC 5.0V/3A

AC 100-250V,  
50/60Hz

Individual Charging

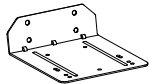
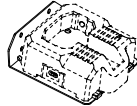
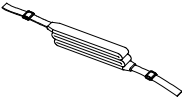
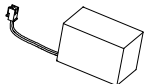

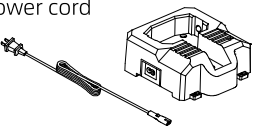
Type B Integrated  
Charging Track Rail


Integrated Charging Stand



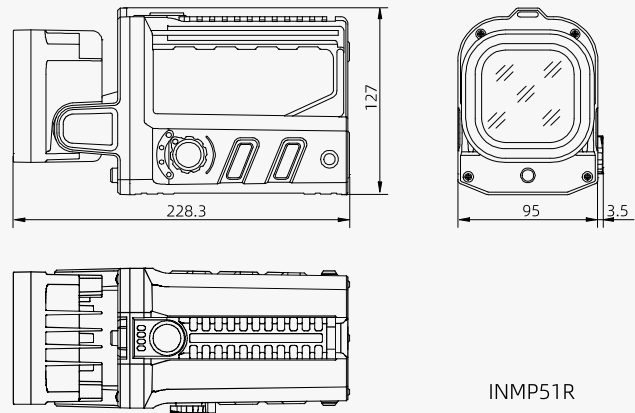
Note: For technical parameters of integrated charging track rail and integrated charging stand, please refer to pages 03-05.

## Spare parts

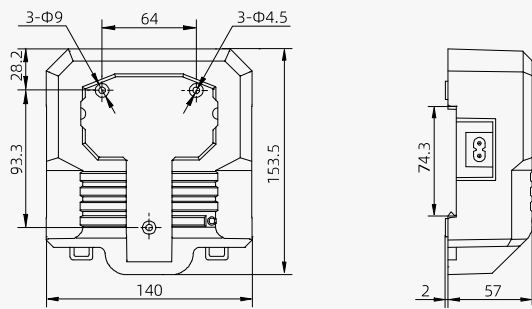
| Illustration  | Description  | Weight (g) | Order No.     |
|---|--|------------|---------------|
|  | 304 stainless steel<br> | 435        | 1000/11-03-01 |
|  | /  | 30         | 1000/11-02-01 |
|  | 7.2V, 6700mAh  | 230        | 1000/05-R51   |
|  | Input voltage/current: DC 5.0V/3000mA  | 94         | 1000/12-01    |
|  | Input voltage/current: AC 100-250V/3000mA<br>Input voltage/current: DC 5.0V/3000mA                         | 394        | 1000/01-B51-□ |

 GB
  EN
  BS
  ANSI
  AS
  JIS
 Code of plug

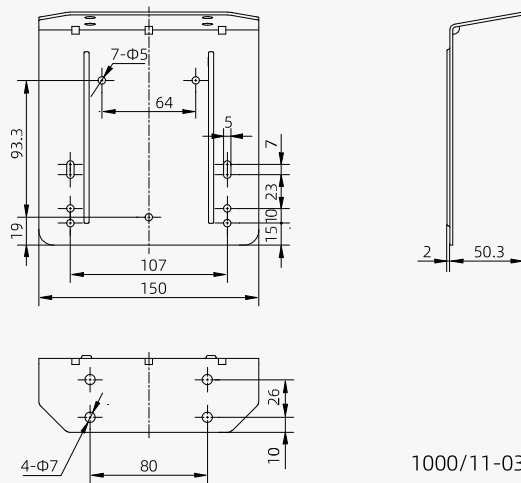
Outline dimension (unit: mm)



INMP51R



1000/01-B51



1000/11-03-01